

V274H Technical Data Sheet

| | | | |
|---------------------|--------------|-----------------------------|---|
| INSULATION SYSTEM | CLASS H | CONTROL SYSTEM | SELF EXCITED |
| PROTECTION | IP23 | A.V.R. | AS440 |
| WINDING PITCH | 2/3 | VOLTAGE REGULATION | ±1.0 % |
| WINDING LEADS | 12 | SUSTAINED SHORT CIRCUIT | NOT |
| MAXIMUM / OVERSPEED | 2250 Rev/Min | WAVEFORM DISTORTION | NO LOAD < 1.5% NON-DISTORTING BALANCED LINEAR LOAD < 5.0% |
| | | TELEPHONE INTERFERENCE: THF | THF < 2% |
| | | TELEPHONE INTERFERENCE: TIF | TIF < 50 |

50Hz CLASS "H"

| RATINGS | | Winding 311 / 0.8 Power Factor | | | | | | | | |
|-----------------------|-----|--------------------------------|-----|-----|-------------------|-------|-------|----------------|-----|-----|
| Duty/Ambient T°. RISE | | Cont.125K/40°C | | | Standby - 150/40° | | | Cont.125K/40°C | | |
| PHASE | | 3 PHASE | | | | | | 1 PHASE | | |
| SERIES STAR | | 380 | 400 | 415 | 380 | 400 | 415 | | | |
| PARALLEL STAR | | 190 | 200 | 208 | 190 | 200 | 208 | | | |
| SERIES DELTA | | 220 | 230 | 240 | 220 | 230 | 240 | | | |
| DOUBLE DELTA | | | | | | | | 220 | 230 | 240 |
| SLG274H | KVA | 200 | 200 | 200 | 212 | 212 | 212 | 120 | 120 | 120 |
| | KW | 160 | 160 | 160 | 169.6 | 169.6 | 169.6 | 96 | 96 | 96 |

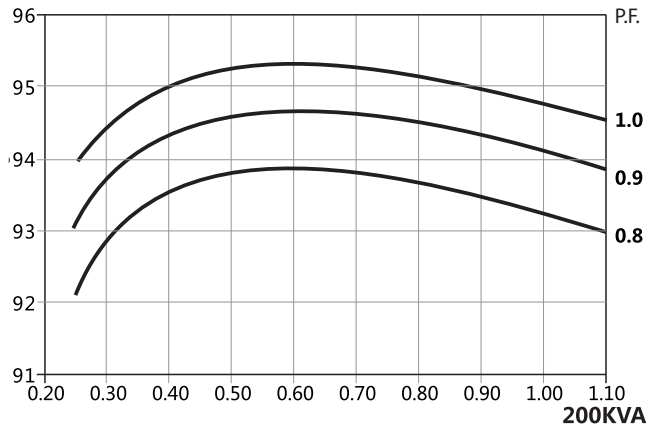
60Hz CLASS "H"

| RATINGS | | Winding 311 / 0.8 Power Factor | | | | | | | | | | |
|-----------------------|-----|--------------------------------|-----|-----|-------------------|-----|-------|----------------|-----|-------|-----|-------|
| Duty/Ambient T°. RISE | | Cont.125K/40°C | | | Standby - 150/40° | | | Cont.125K/40°C | | | | |
| PHASE | | 3 PHASE | | | | | | 1 PHASE | | | | |
| SERIES STAR | | 416 | 440 | 460 | 480 | 416 | 440 | 460 | 480 | | | |
| PARALLEL STAR | | 208 | 220 | 230 | 240 | 208 | 220 | 230 | 240 | | | |
| SERIES DELTA | | 240 | 254 | 266 | 277 | 240 | 254 | 266 | 277 | | | |
| DOUBLE DELTA | | | | | | | | | | 220 | 230 | 240 |
| SLG274H | KVA | 237.5 | 245 | 245 | 255 | 250 | 258.8 | 258.8 | 275 | 127.5 | 135 | 142.5 |
| | KW | 190 | 196 | 196 | 204 | 200 | 207 | 207 | 220 | 102 | 108 | 114 |

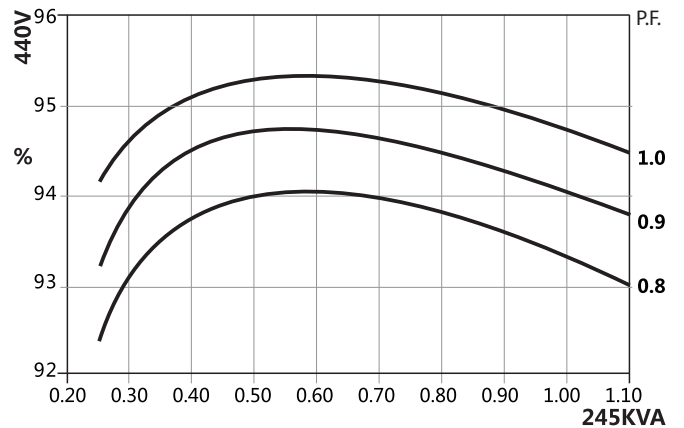
REACTANCES , TIME CONSTANTS (s) : CLASS : H / 400 V

| | SLG274H | |
|---------------------------------|-----------|-----------|
| | 50Hz/400V | 60Hz/440V |
| Xd DIR. AXIS SYNCHRONOUS | 1.91 | 2.31 |
| X'd DIR. AXIS TRANSIENT | 0.16 | 0.91 |
| X''d DIR. AXIS SUBTRANSIENT | 0.11 | 0.13 |
| Xq QUAD. AXIS REACTANCE | 1.15 | 1.41 |
| X''q QUAD. AXIS SUBTRANSIENT | 0.15 | 0.18 |
| XL LEAKAGE REACTANCE | 0.08 | 0.09 |
| X2 NEGATIVE SEQUENCE | 0.12 | 0.15 |
| X0 ZERO SEQUENCE | 0.08 | 0.09 |
| T'd TRANSIENT TIME CONST. (s) | 0.042 | |
| T''d SUB-TRANSTIME CONST. (s) | 0.012 | |
| T'do O.C. FIELD TIME CONST. (s) | 1.2 | |
| Ta ARMATURE TIME CONST. (s) | 0.012 | |
| SHORT CIRCUIT RATIO | 1/ Xd | |

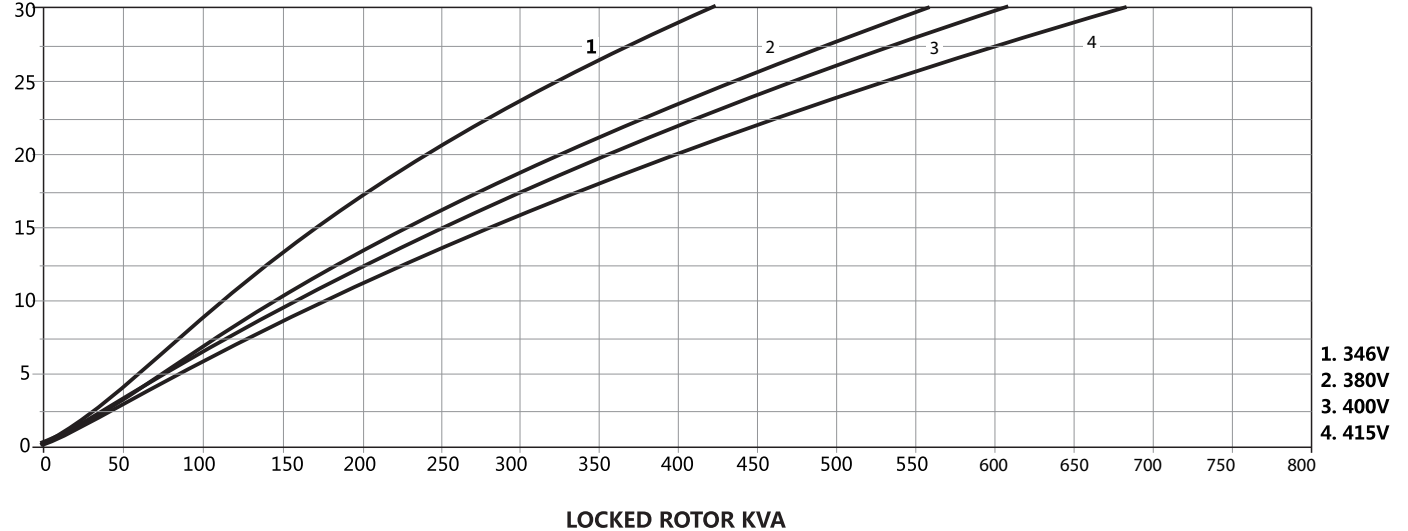
50Hz 400V Winding 311 THREE PHASE EFFICIENCY CURVES



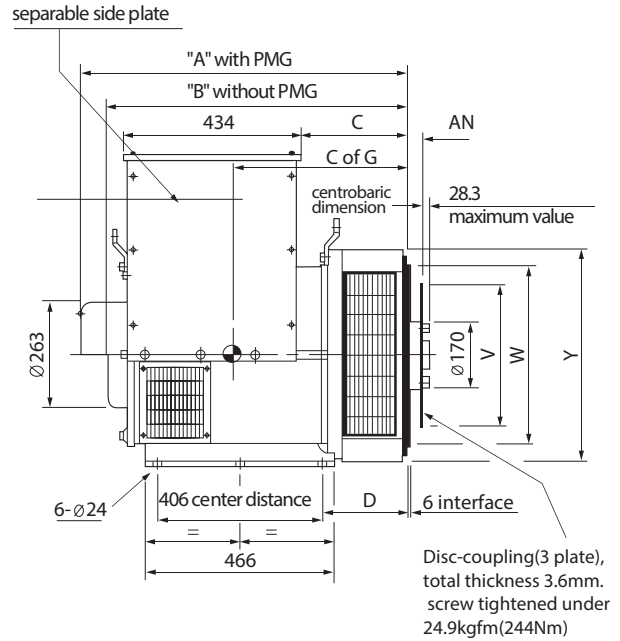
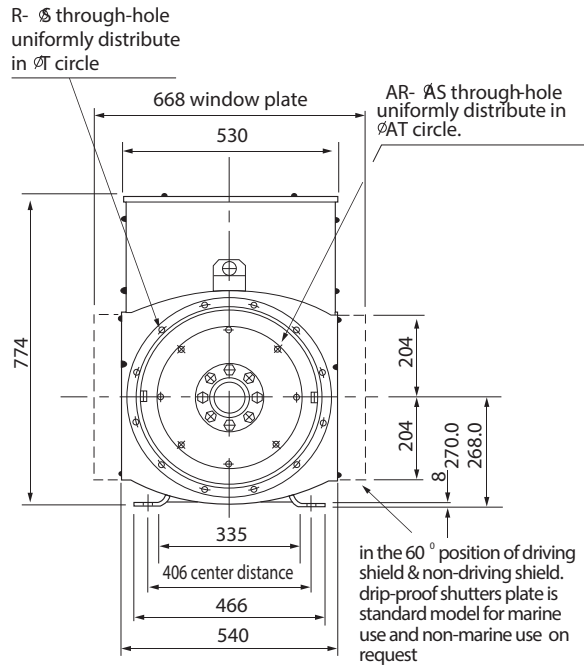
60Hz 440V Winding 311 THREE PHASE EFFICIENCY CURVES



50Hz 400V Winding 311 Locked Rotor Motor Starting Curve



Single bearing external dimension



| DIMENSION (mm) | | | | | | |
|----------------|---------|--------|-------|-------|-----|-------|
| | Model | A | B | C | E | Cof G |
| SAE1 | SLG274H | 1018.3 | 955.3 | 479.3 | 560 | 455 |
| SAE2&3 | SLG274H | 1004 | 941 | 465 | 540 | 625 |

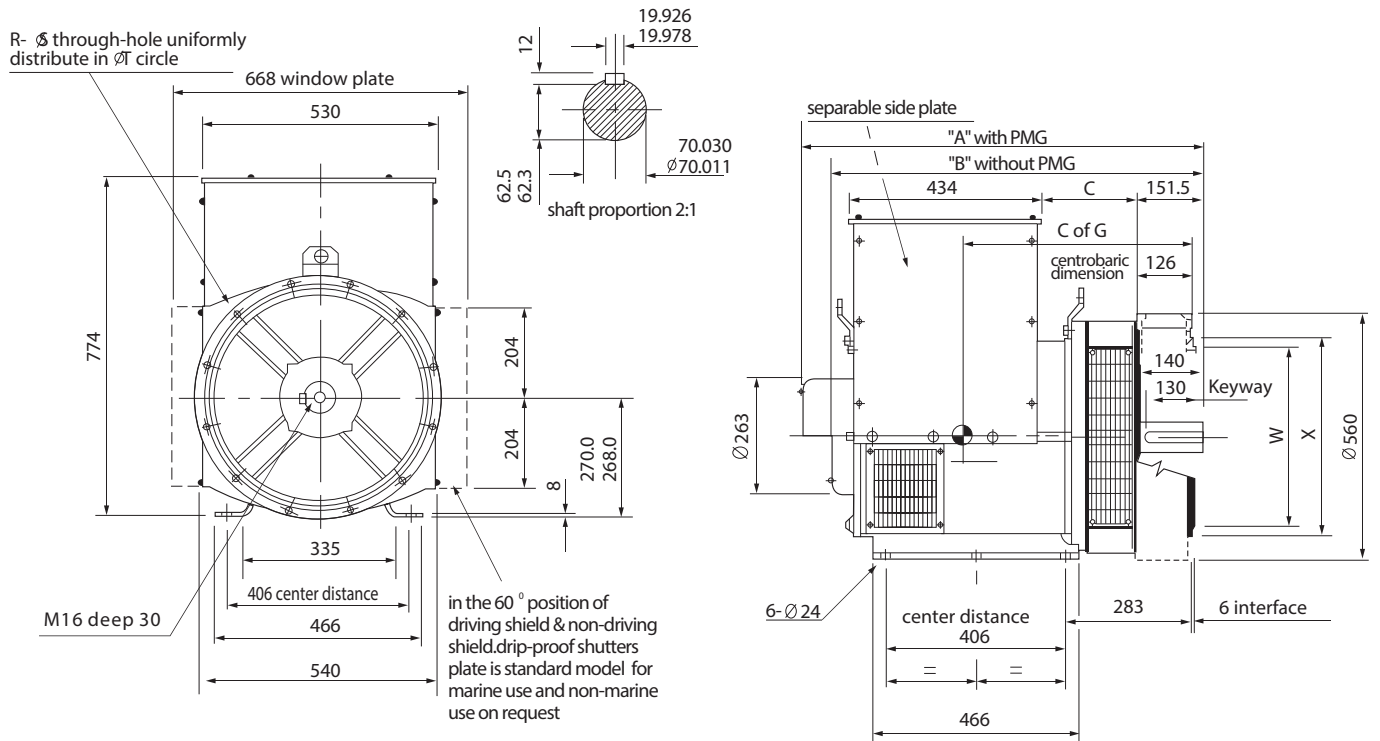
| DISC COUPLING (mm) | | | | | | |
|--------------------|-------|----|------|-------|-------|-----|
| S.A.E.NO. | AN | AR | AS | AT | V | Y |
| 10 | 53.98 | 8 | 10.3 | 295.3 | 314.2 | 580 |
| 11.5 | 39.68 | 8 | 10.3 | 333.3 | 352.3 | 530 |
| 14 | 25.40 | 8 | 13.5 | 438.2 | 466.6 | 530 |

| FLANGE (mm) | | | | | | |
|-------------|-------|----|------|-------|-------|-----|
| S.A.E.NO. | D | R | S | T | W | Y |
| 1 | 216.3 | 12 | 12.7 | 530.2 | 511.1 | 580 |
| 2 | 202 | 12 | 11 | 466.7 | 447.6 | 530 |
| 3 | 202 | 12 | 11 | 428.6 | 409.5 | 530 |

| SAE NO SELECTOR CHOWT | | | |
|-----------------------|-------|---------|-------|
| | SAE10 | SAE11.5 | SAE14 |
| SAE 1 | | • | • |
| SAE 2 | | • | |
| SAE 3 | • | • | |

| TRANSPORTATION DATA | | | | |
|---------------------|---------|---------|-----------|------------------------|
| Model | N.W(kg) | G.W(kg) | LXWXH(cm) | QTY FOR 20FT CONTAINER |
| SLG274H | 600 | 630 | 115x69x97 | 32 |

Double bearing external dimension



DIMENSION

| Model | A | B | C | C of G |
|---------|------|------|-----|--------|
| SLG274H | 1110 | 1047 | 420 | 510 |

FLANGE (mm)

| S.A.E.NO. | R | S | T | W | X |
|-----------|----|------|-------|-------|-----|
| 1 | 12 | 12.7 | 530.2 | 511.1 | 553 |
| 2 | 12 | 11 | 466.7 | 447.6 | 495 |
| 3 | 12 | 11 | 428.6 | 409.5 | 451 |

TRANSPORTATION DATA

| Model | N.W(kg) | G.W(kg) | LXWXH(cm) | QTY FOR 20FT CONTAINER |
|---------|---------|---------|-----------|------------------------|
| SLG274H | 610 | 650 | 120x69x97 | 24 |